

**EKO**VENT®

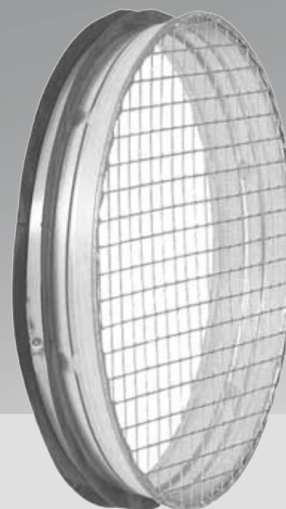


**EKO-NR**

Wire Mesh Louvre

# WIRE MESH LOUVRE

EKO-NR



## Quick facts

- Sizes from Ø80 mm to Ø1250 mm
- Galvanized sheet steel as standard
- Available in powder-coated finish
- Can also be supplied in Stainless EN 1.4404
- Available in MagiCAD

## Design

EKO-NR is a circular protective louvre for duct end installation. The wire mesh grille consists of a pressed sheet metal profile, and the mesh is stamped from the same sheet with a mesh size of 10x10 mm. As standard, the wire mesh is attached to a circular spigot connection but can be delivered with other connection types, such as options 2, 3, and 4.

## Sizes

EKO-NR is manufactured in 14 standard dimensions in accordance with the spiro standard. Other dimensions and net mesh sizes can be made to order.

## Material, surface treatment

EKO-NR is available in connection variants 1, 2, and 4, with execution in Fz and mesh in Fz. Connection variant 3 is delivered in Fz with mesh in ZM120.

The louvre is also available in stainless EN 1.4404, except for connection alternative 2, which is only delivered in galvanized (Fz). All connection variants can be provided in a painted finish in any RAL color.

## How to order EKO-NR

Wire Mesh Louvre EKO-NR-A-B-C-D-0-0

### A – Size

Ød

### B – Connection

- 1 = Spigot - Standard
- 2 = With radius
- 3 = With edge
- 4 = Socket

### C – Material

- 5 = Stainless EN 1.4404
- 6 = Galvanized steel - Standard

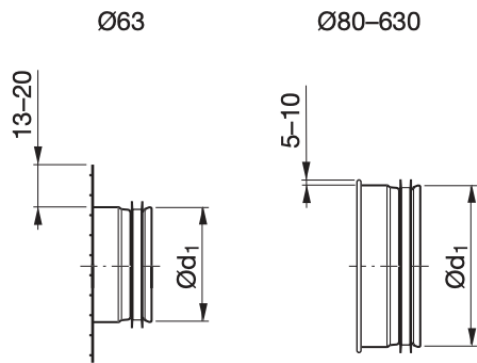
### D – Surface treatment

- 1 = Untreated
- 2 = Surface treatment (RAL-colour stated in plain text)

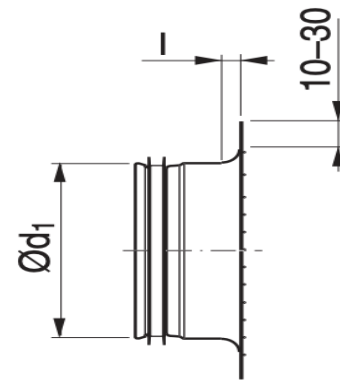
Example: EKO-NR-400-1-6-1-0-0

## Technical data

### Dimensions spigot connection - Type 1 Standard



### Dimensions spigot connection with radius - Type 2

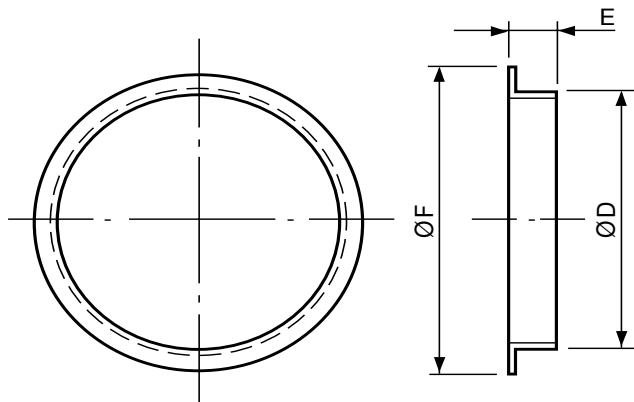


### Standard sizes

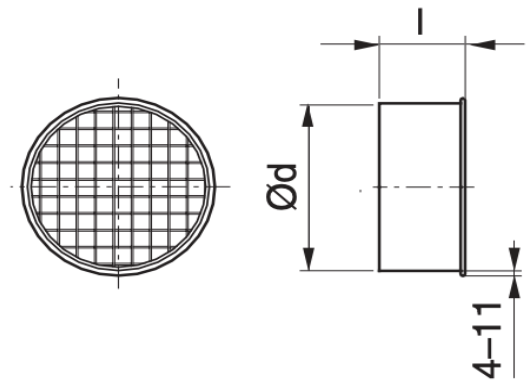
ØD <sub>1</sub> Nom	m Kg
63	0,06
80	0,08
100	0,10
125	0,13
160	0,17
200	0,25
250	0,38
315	0,57
400	0,75
500	1,09
630	1,55
800	2,11
1000	3,23
1250	4,00

ØD <sub>1</sub> Nom	l [mm]	m Kg
63	10	0,07
80	12	0,11
100	15	0,16
125	20	0,21
160	25	0,22
200	25	0,39
250	25	0,64
315	25	0,83
400	25	1,14
500	25	1,61
630	25	2,19

## Spigot connection with edge - Type 3



## Dimensions socket connection - Type 4



## Standard sizes

Size	ØD <sub>1</sub> nom	ØF	l [mm]
080	080	117	38
100	100	135	38
125	125	160	60
160	160	177	60
200	200	217	60
250	250	266	60
315	315	333	60
400	400	417	60
500	500	520	60
630	630	655	60
800	800	825	60
900	900	925	60
1000	1000	1025	60
1250	1250	1262	115

## Standard sizes

ØD <sub>1</sub> nom	l [mm]	m kg
80	48	0,07
100	48	0,09
125	48	0,11
160	48	0,15
200	48	0,21
250	68	0,32
315	68	0,45
400	93	0,69
500	93	0,92
630	93	1,29
800	113	1,65
1000	138	2,50
1250	138	3,08